



COMPACT
**CUBE
CRANE**

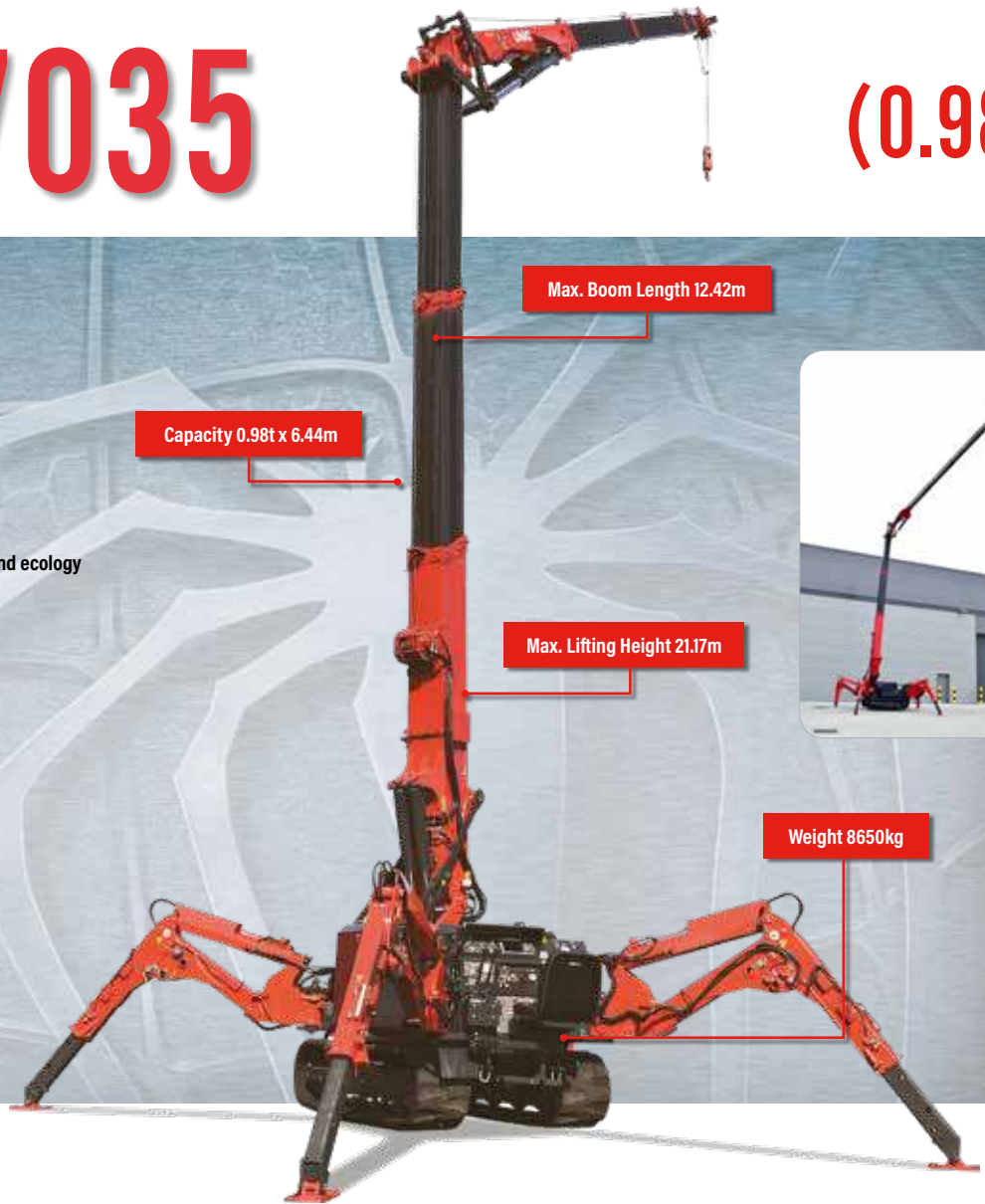
UNIC
CRANES EUROPE

CAPACITY: 0.98t x 6.44m MAXIMUM LIFTING HEIGHT: 21.17m MAXIMUM WORKING RADIUS: 13.99m
SLEWING RANGE: 360° continuous BOOM ANGLE: 80 - 95°

URW-7035

(0.98t x

- Total width 1.5m
- Max working radius 13.99m
- Petrol powered, optional LPG dual fuel
- Multi-position configurable outriggers
- Unique 3 section derricking boom
- Full colour high resolution SLI
- Intelligent voice warning system
- Radio remote control as standard
- Intelligent throttle activation for economy and ecology



The Cube Crane is the most advanced mini crane in the world to feature a three section derricking boom, enabling it to be set at an 85°, 90° and 95° angles, making it extremely versatile for some of the most restricted access and confined lifting projects.

The Cube Crane benefits from innovative, multi-position outrigger configurations, enabling this miniature crane to work and operate safely around obstacles on site. This compact crane features a safety load indicator system with an over winding alarm and intelligent voice warning system for optimum safety during lifting operations. The upgrade to the radio remote incorporating Bi-axis joysticks and feedback display providing the operator all information they require.

Featuring nearly a tonne of lifting capacity, this mini machine also benefits from a lifting height of 21.1 metres and a horizontal reach giving a maximum working radius of 13.99m. At just 1.5m wide, this compact crane can gain access through a standard double doorway and can easily move around corners thanks to its ability to reposition the boom whilst travelling to its install location.

ADDITIONAL FEATURES

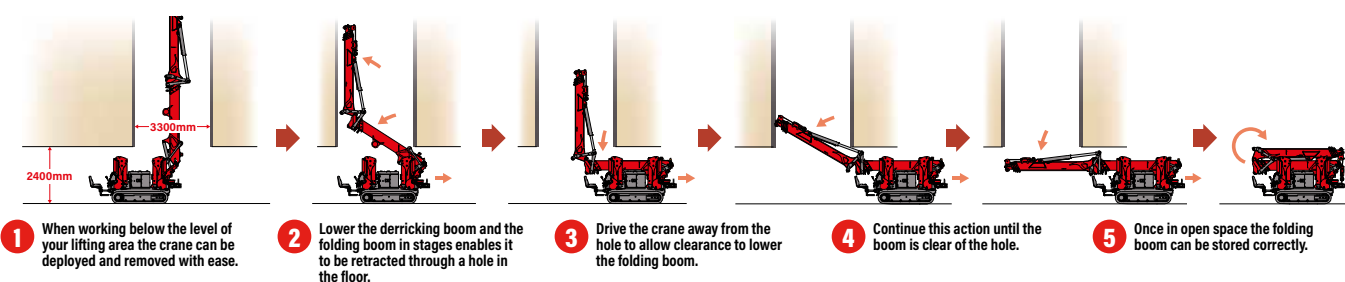


Radio remote control



High resolution colour SLI

UNIQUE WORKING FEATURE OF THE CUBE CRANE



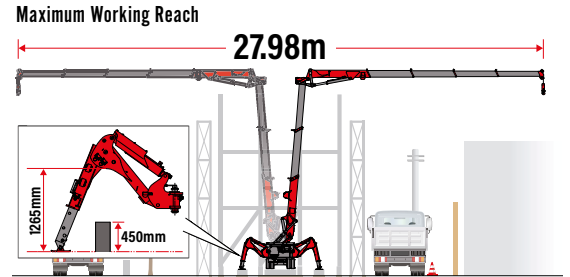
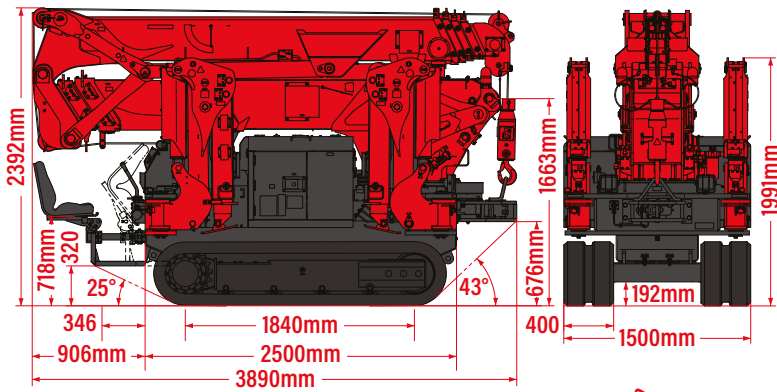
6.44m)

COMPACT CUBE CRANE

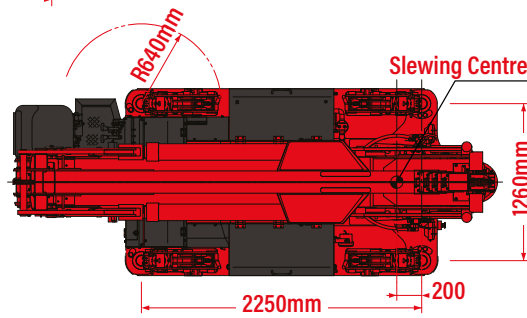
UNIC

CRANES EUROPE

DIMENSIONS



High resolution colour SLI



CRANE SPECIFICATIONS

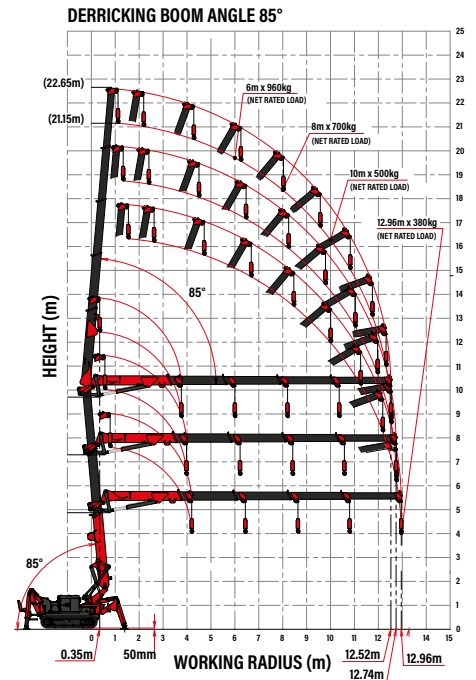
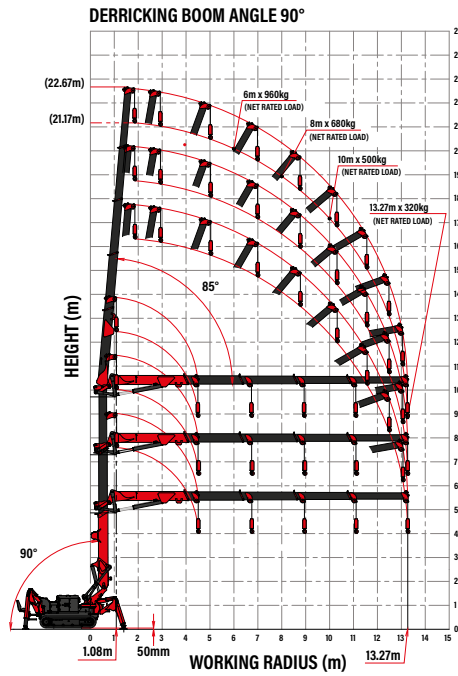
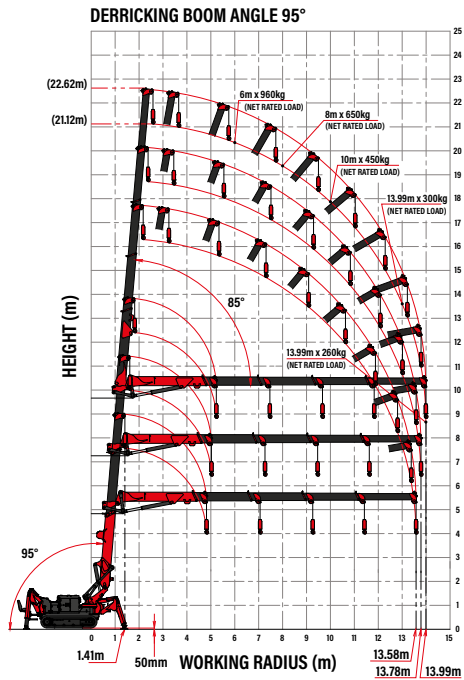
Crane capacity	max:	0.98t x 6.44m
Max working radius	max:	13.99m
Max lifting height	approx:	211.7m
Rope length	rope:	8mm x 44m
Dimensions	folded:	3890mm (l) x 1500mm (w) x 2392mm (h)
Weight	unladen:	8650kg
Point loadings	Due to the many variables involved, point loadings are only available on request	
Hook speed	approx:	38.4 (53.8)m/min at 4th layer
Telescopic system	boom length:	3.66 - 12.42m
	telescoping speed:	8.76m/23 seconds
	boom type:	5 section hydraulically telescoping boom, hexagonal box construction
Derricking angle/speed	approx:	0 - 95° / 15.0 seconds
Slewing angle/speed	approx:	360° (continuous) 2.5min rpm
Traction system	drive:	hydrostatic 2-speed, stepless forward and reverse
	travel speed:	0 - 2.5km/h
	gradeability:	± 15° (vertical) 15° (traverse)
	track ground length:	1840mm
	track ground pressure:	56.6kPa(0.58kg/cm ²)
	track width:	400mm
Engine	manufacturer:	Kubota
	fuel:	diesel (electric dual power option)
	maximum output:	18.5kW / 2200rpm
	starting method:	electric
	tank capacity:	65 litres
Electric motor	power:	75kW
	voltage:	400v AC 50/60hz
Standard equipment	computer controlled moment limiter (safe load indicator), radio remote control with feedback display, overwinding alarm, computer controlled intelligent voice warning system, multi-function operation by radio remote control, intelligent throttle activation, automatic hook stow, overload warning lamps, working area limitation, forward facing camera	
Optional equipment	mains electric dual power (400v), low marking tracks	



URW-7035

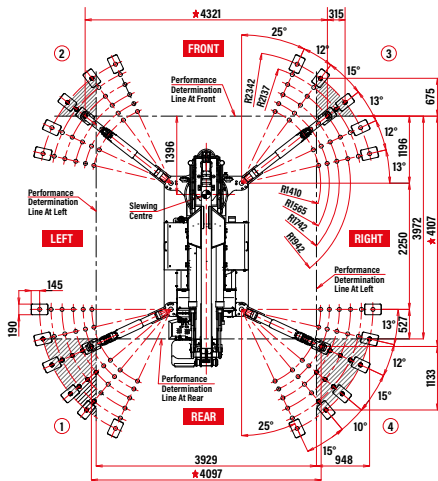
(0.980t x

URW-7035 WORKING RANGES

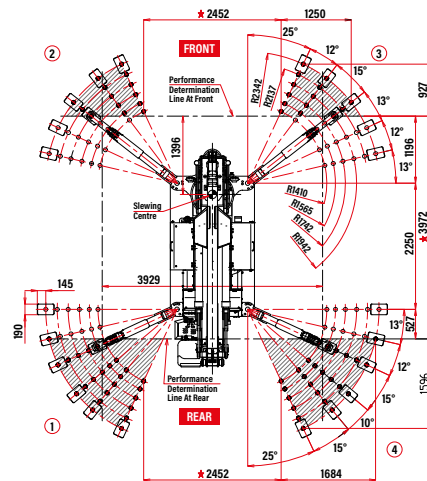


OUTRIGGER POSITIONS

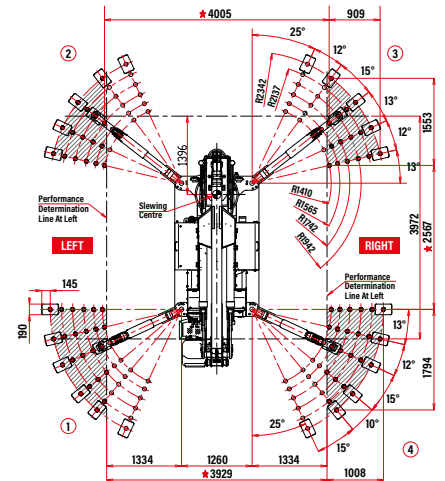
Maximum Performance At All Circumference



Maximum Performance At Front & Rear



Maximum Performance At Right & Left Sides

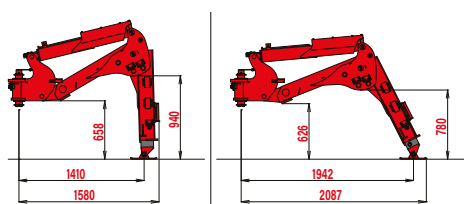


Note: Outriggers must be extended to shaded area to accomplish maximum performance. * is the minimum extension when the crane can be at maximum performance

Outrigger Dimensions - Inner Box 1

Outer Box Small Angle

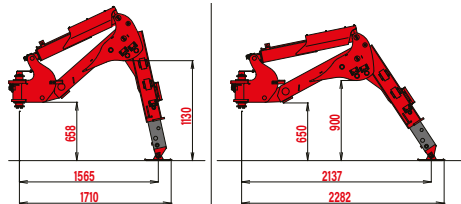
Outer Box Large Angle



Outrigger Dimensions - Inner Box 2

Outer Box Small Angle

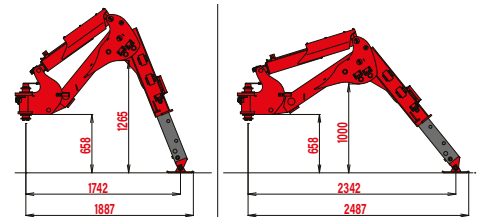
Outer Box Large Angle



Outrigger Dimensions - Inner Box 3

Outer Box Small Angle

Outer Box Large Angle

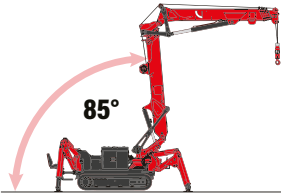


6.44m)

COMPACT CUBE CRANE

URW-7035 NET RATED LOADS

DERRICKING BOOM ANGLE 85°



Lifting Capacity

980kg x 6.44m

Maximum Working Radius

12.96m

Maximum Lifting Height

21.15m

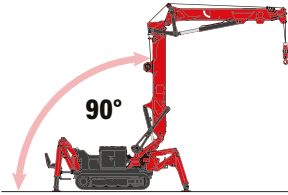
1 st , 1 st + 2 nd BOOM SECTIONS EXTENDED											
Working radius	m	up to 2.5	3.0	3.5	4.0	4.5	5.0	6.0	6.44		
Outrigger	Max-extended	kg	960	960	960	960	960	960	960	960	
	Mid-extended	kg	960	960	960	960	960	960	730	670	
	Min-extended	kg	960	960	960	960	780	650	550	400	380

1 st , 2 nd + 3 rd BOOM SECTIONS EXTENDED													
Working radius	m	up to 2.5	3.0	3.5	4.0	4.5	5.0	5.5	6.0	7.0	8.0	8.64	
Outrigger	Max-extended	kg	960	960	960	960	960	960	960	960	840	730	670
	Mid-extended	kg	960	960	960	960	960	960	830	730	590	470	430
	Min-extended	kg	960	960	960	960	780	650	550	470	400	320	260

1 st , 2 nd , 3 rd + 4 th BOOM SECTIONS EXTENDED													
Working radius	m	up to 2.5	3.0	4.0	4.5	5.0	6.0	7.0	8.0	9.0	10.0	10.80	
Outrigger	Max-extended	kg	960	960	960	960	960	960	830	730	630	550	500
	Mid-extended	kg	960	960	960	960	960	730	590	470	400	350	310
	Min-extended	kg	960	960	960	780	650	550	400	320	260	210	180

1 st , 2 nd , 3 rd , 4 th + 5 th BOOM SECTIONS EXTENDED													
Working radius	m	up to 3.0	4.0	5.0	6.0	7.0	8.0	9.0	10.0	11.0	12.0	12.96	
Outrigger	Max-extended	kg	960	960	960	960	830	700	590	500	450	410	380
	Mid-extended	kg	960	960	960	730	590	470	400	340	300	260	230
	Min-extended	kg	960	730	550	400	320	260	210	180	150	130	110

DERRICKING BOOM ANGLE 90°



Lifting Capacity

980kg x 6.0m

Maximum Working Radius

13.27m

Maximum Lifting Height

21.17m

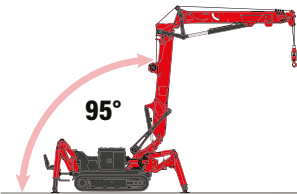
1 st , 1 st + 2 nd BOOM SECTIONS EXTENDED											
Working radius	m	up to 2.5	3.0	3.5	4.0	4.5	5.0	6.0	6.75		
Outrigger	Max-extended	kg	960	960	960	960	960	960	960	800	
	Mid-extended	kg	960	960	960	960	960	850	680	590	
	Min-extended	kg	960	960	830	720	620	530	390	330	

1 st , 2 nd + 3 rd BOOM SECTIONS EXTENDED													
Working radius	m	up to 2.5	3.0	3.5	4.0	4.5	5.0	5.5	6.0	7.0	8.0	8.95	
Outrigger	Max-extended	kg	960	960	960	960	960	960	960	960	790	680	580
	Mid-extended	kg	960	960	960	960	960	850	760	680	560	460	380
	Min-extended	kg	960	960	960	830	720	620	530	460	390	310	240

1 st , 2 nd , 3 rd + 4 th BOOM SECTIONS EXTENDED													
Working radius	m	up to 3.0	3.5	4.0	4.5	5.0	6.0	7.0	8.0	9.0	10.0	11.11	
Outrigger	Max-extended	kg	960	960	960	960	960	790	680	580	500	420	420
	Mid-extended	kg	960	960	960	960	850	680	560	460	380	330	280
	Min-extended	kg	960	960	720	620	530	390	310	240	190	160	140

1 st , 2 nd , 3 rd , 4 th + 5 th BOOM SECTIONS EXTENDED													
Working radius	m	up to 3.0	4.0	5.0	6.0	7.0	8.0	9.0	10.0	11.0	12.0	13.27	
Outrigger	Max-extended	kg	960	960	960	960	790	680	580	500	420	370	320
	Mid-extended	kg	960	960	800	680	560	460	380	320	280	240	210
	Min-extended	kg	960	720	530	390	310	240	190	160	140	120	-

DERRICKING BOOM ANGLE 95°



Lifting Capacity

980kg x 6.0m

Maximum Working Radius

13.99m

Maximum Lifting Height

21.12m

1 st , 1 st + 2 nd BOOM SECTIONS EXTENDED											
Working radius	m	up to 2.5	3.0	3.5	4.0	4.5	5.0	6.0	7.47		
Outrigger	Max-extended	kg	960	960	960	960	960	960	960	690	
	Mid-extended	kg	960	960	960	960	960	820	630	450	
	Min-extended	kg	960	960	780	630	530	450	330	220	

1 st , 2 nd + 3 rd BOOM SECTIONS EXTENDED													
Working radius	m	up to 2.5	3.0	3.5	4.0	4.5	5.0	6.0	7.0	8.0	9.0	9.67	
Outrigger	Max-extended	kg	960	960	960	960	960	960	960	810	660	540	460
	Mid-extended	kg	960	960	960	960	960	820	630	510	400	330	290
	Min-extended	kg	960	960	780	630	530	450	330	240	180	140	120

1 st , 2 nd , 3 rd + 4 th BOOM SECTIONS EXTENDED													
Working radius	m	up to 3.0	4.0	5.0	6.0	7.0	8.0	9.0	10.0	11.0	11.83		
Outrigger	Max-extended	kg	960	960	960	960	810	660	540	450	380	340	
	Mid-extended	kg	960	960	780	630	510	400	330	270	240	220	
	Min-extended	kg	960	630	450	330	240	180	140	110	-	-	

1 st , 2 nd , 3 rd , 4 th + 5 th BOOM SECTIONS EXTENDED													
Working radius	m	up to 3.0	5.0	6.0	7.0	8.0	9.0	10.0	11.0	12.0	13.0	13.99	
Outrigger	Max-extended	kg	960	960	960	790	650	540	450	380	340	300	260
	Mid-extended	kg	960	780	630	510	400	330	270	240	210	190	170
	Min-extended	kg	960	450	330	240	180	140	110	-	-	-	-




THE UNIC MINI SPIDER CRANE RANGE

UNIC mini spider cranes are the world's most compact cranes.


The combination of pioneering design, precision manufacturing, and innovative technology gives these cranes incredible capacity and reach for such compact machines. UNIC mini cranes have the flexibility and capabilities to assist in a huge variety of lifting situations from internal and confined lifting through to glass installation, steel erection, machinery removal, railway maintenance and more. **Wherever access is restricted or working space is confined, UNIC mini spider cranes are the only solution.**

URW-094




Crane capacity	0.995t x 1.5m
Max. lifting height	5.6m
Max. working radius	5.17m
Weight	1000kg

URW-095




Crane capacity	0.995t x 3.5m
Max. lifting height	8.8m
Max. working radius	8.41m
Weight	1850kg

URW-245




Crane capacity	2.4t x 1.5m
Max. lifting height	6.3m
Max. working radius	5.85m
Weight	1500kg

ECO-UNIC
WBE - ON WHEELS




Crane capacity (095)	0.995t x 3.5m
Crane capacity (295)	2.9t x 1.4m
Max. lifting height	8.9m
Max. working radius	8.41m
Weight	2425kg

ECO-UNIC
CBE - ON CRAWLERS




Crane capacity (095)	0.995t x 3.5m
Crane capacity (295)	2.9t x 1.4m
Max. lifting height	8.9m
Max. working radius	8.41m
Weight	2350kg

URW-295



Crane capacity	2.9t x 1.4m
Max. lifting height	8.8m
Max. working radius	8.41m
Weight	1850kg

URW-376




Crane capacity	2.9t x 2.5m
Max. lifting height	14.9m
Max. working radius	14.45m
Weight	3850kg

URW-506




Crane capacity	3.0t x 3.4m
Max. lifting height	16m
Max. working radius	15.52m
Weight	4840kg

URW-547




Crane capacity	4.0t x 2.5m
Max. lifting height	18.2m
Max. working radius	17.83m
Weight	5010kg

URW-706




Crane capacity	6.0t x 3.0m
Max. lifting height	19.5m
Max. working radius	18.6m
Weight	7920kg

URW-706-2



Crane capacity	6.0t x 3.0m
Max. lifting height	19.5m
Max. working radius	18.6m
Weight	8220kg

URW-1006



Crane capacity	10.0t x 3.0m
Max. lifting height	22.8m
Max. working radius	21.9m
Weight	14000kg

Common applications include: Glass Lifting · Glass Installation · Confined Access · In-Between Floors · Below Ground Roof-Top Operation · Monument Lifting · Landscaping · Marine Lifting · Machinery Removals & Installation · Offshore · Petrochemical Plant Maintenance · Tunnel Operations · Shopping Mall & Retail Park Installations · Film & Entertainment · Restoration Projects · Waterways Maintenance · Railway Maintenance · Aviation · Steel Erection · Cladding Lifting & Installation · Utilities · Renewable Energy

27.98m

COMPACT
**CUBE
CRANE**



UNIC
CRANES EUROPE

HEAD OFFICE: GGR UNIC House, Pegasus Way, Haddenham Business Park, Haddenham, Buckinghamshire, HP17 8LJ
Telephone: +44 (0)1844 202071 Fax: +44 (0)1844 202075

UK NORTHERN DEPOT: Presentation House, Broadgate, Broadway Business Park, Oldham, OL9 0JA
Telephone: +44 (0)161 683 2580 Fax: +44 (0)161 683 4444

Email: sales@uniccranes.com Web: www.uniccranes.com



UNIC Cranes Europe is part of
the GGR Group of Companies
© Copyright GGR Group 2019

