

# URW-245 (2.4t x 1.5m)

- Total width 0.6m
- Max working radius 5.85m
- Petrol powered, optional LPG dual fuel
- Operator control of outrigger extension
- Radio remote control as standard
- Working area limitation
- Slew limitation (optional)
- Intelligent throttle activation for economy and ecology



The URW-245 model in the UNIC Cranes Europe range offers unrivalled lifting power with its class beating minimal dimensions and weight. This 2.4 tonne capacity crane is ideal for in-between floor operations and fits easily into a goods lifts without the need for disassembly. The URW-245 also leads the way with an array of safety features including a computer-controlled, intelligent voice warning system.

## ADDITIONAL FEATURES



Radio remote control



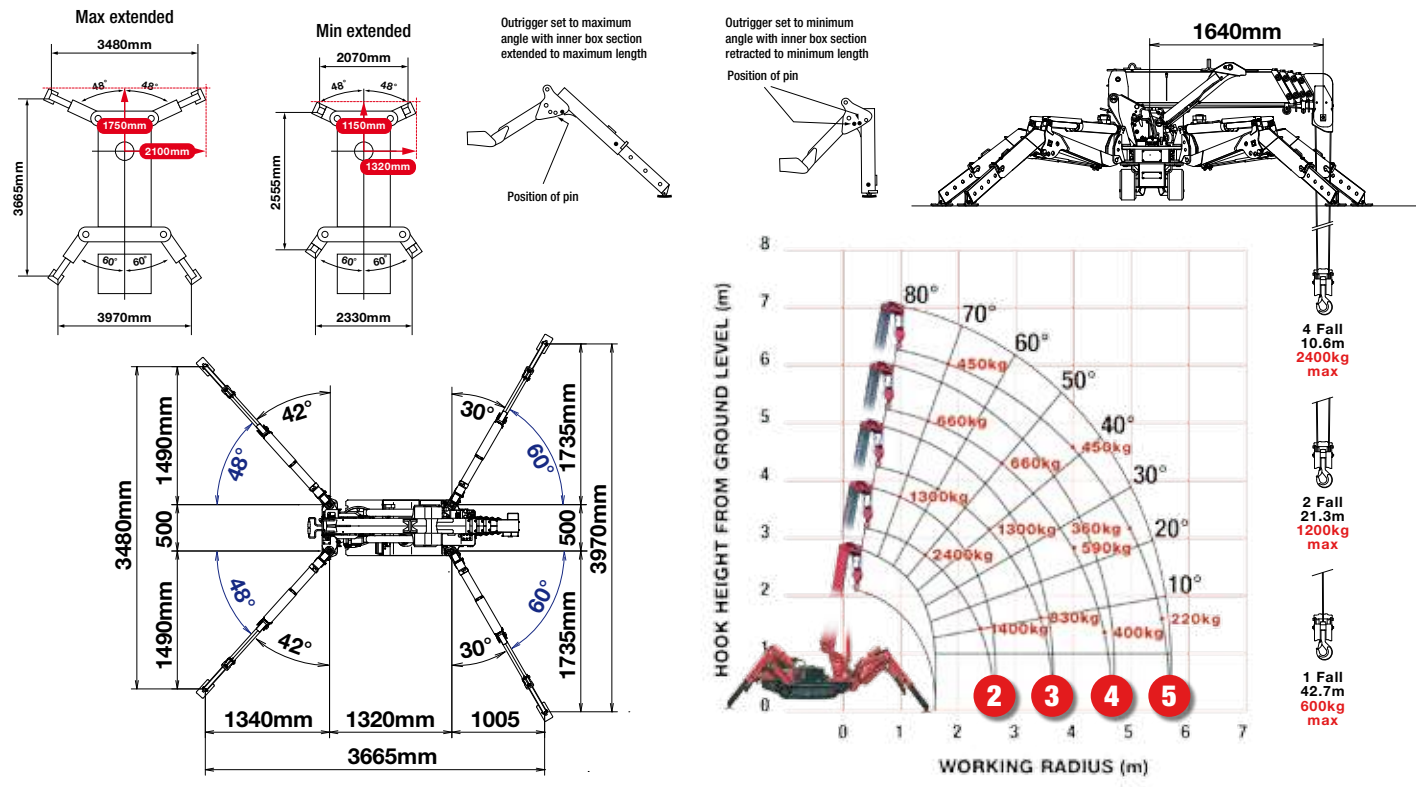
Full safe load indicator

## CRANE SPECIFICATIONS

Crane capacity	capacity:	2.4t x 1.5m
Max working radius	max:	5.85m
Max lifting height	approx:	6.3m
Rope length	max:	10.6m (4 fall), 21.3m (2 fall), 42.7m (1 fall)
Dimensions	folded:	2150mm (l) x 600mm (630mm with 180mm tracks) (w) x 1320mm (h)
Weight	unladen:	1500kg
Point loadings	Due to the many variables involved, point loadings are only available on request	
Hook speed	approx:	13m/min (with 3 layers and 4 falls)
Telescopic system	boom length:	1.98 - 6.19m
	telescoping speed:	4.21m/14 seconds
	boom type:	5 section hydraulically telescoping boom, hexagonal box construction
Derricking angle/speed	approx:	0 - 80°/10 seconds
Slewing angle/speed	approx:	360° (continuous) 2.0min rpm
Traction system	drive:	hydrostatic, step-less forward and reverse
	travel speed:	0 - 2.1km/h (low), 0 - 3.8km/h (high)
	gradeability:	± 20° (vertical) 10° (traverse)
	track ground length:	1050mm
	track ground pressure:	47kPa (0.48kg/cm <sup>2</sup> ) (with 150mm tracks)
		39kPa (0.40kg/cm <sup>2</sup> ) (with optional 180mm tracks)
	track width:	150mm, 180mm
Engine	manufacturer:	Mitsubishi
	fuel:	petrol (LPG dual option)
	maximum output:	6.6kW (9PS) / 1800min rpm
	starting method:	electric and recoil start as standard
	tank capacity:	6 litres
Standard equipment	computer controlled moment limiter (safe load indicator), radio remote control, overwinding alarm, computer controlled intelligent voice warning system, multi-function operation by radio remote control, intelligent throttle activation, automatic hook stow, overload warning alarms, overload warning lamps	
Optional equipment	1 fall hook block, 2 fall hook block, LPG dual power, low marking tracks, 180mm tracks, searcher hook	

# MINI SPIDER CRANE

## RATED LOADS & OUTRIGGER POSITIONS



<b>SECOND STAGE EXTENDED 1.98 - 3.05M BOOM LENGTH</b>							
Working radius	m	up to 1.3	1.5	1.8	2.0	2.5	2.71
Outrigger	kg	2,400	2,400	1,960	1,760	1,400	1,350
	kg	1,150	1,150	700	550	330	310

<b>THIRD STAGE EXTENDED 3.05 - 4.11M BOOM LENGTH</b>							
Working radius	m	up to 1.5	2.0	2.6	3.0	3.5	3.77
Outrigger	kg	1,300	1,300	1,300	1,060	830	710
	kg	350	350	350	230	170	150

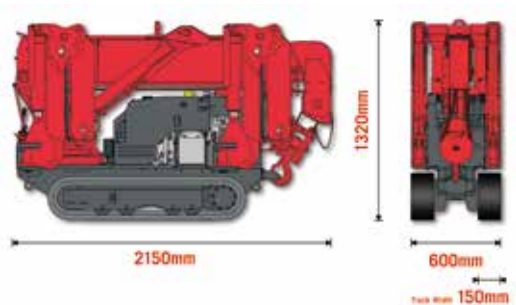
<b>FOURTH STAGE EXTENDED 4.11 - 5.15M BOOM LENGTH</b>							
Working radius	m	up to 2.5	3.0	3.7	4.0	4.5	4.81
Outrigger	kg	660	660	660	590	420	400
	kg	170	170	170	150	100	80

<b>FIFTH STAGE EXTENDED 5.15 - 6.19M BOOM LENGTH</b>							
Working radius	m	up to 3.5	4.0	4.5	5.0	5.5	5.85
Outrigger	kg	450	450	400	360	250	220
	kg	150	150	100	80	60	50



### DIMENSIONS



### OPTIONAL LPG GAS

